



ISO: 9001 - CERTIFIED

Vertical Elevator SC(E)





This machine is used to transfer wafer sheets⁺⁺ or wafer books from one level to another. (This catalogue describes the details from one floor to another, for wafer books.)

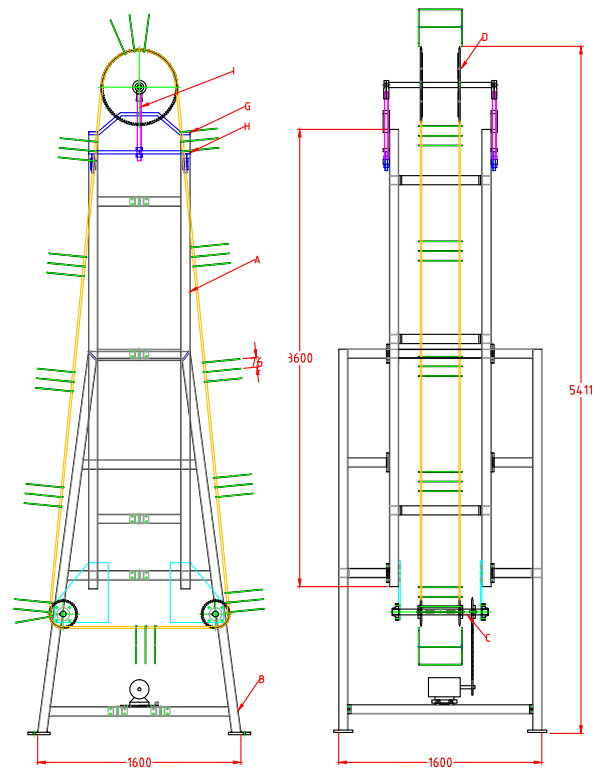
It can be customized for

- (a) Different sheet of book size
- (b) Different height of size
- (c) Different orientation of transfers
- (d)

Please ask for further details.

Technical Details	SC(E)
Wafer Size/Book in mm**	460x290
Transfer of wafer (Book)/ hr	300*
Transfer of wafer sheets/ hour	1500
Height of Transfer	4 Meters
Electric Connected load in KW	0.75
Current Consumption in KW/hr	0.5

Dimensions (When erected)	
Length	1600 mm
Width	1600 mm
Height	5500 mm
Shipping Data	
Net weight	450 Kgs
Weight incl. sea worthy packing (approx.)	600 Kgs
Shipping space in M ³ Dismanteled	8.0



***Modifications Reserved **Other Sizes on request ++ To be specified at the time of ordering**

We are constantly guided by our principle of offering our customers better and better machines; to give increased efficiency and higher levels of automation. The technical data and illustrations are subject to change without notice

R & D Engineers

A-41, IDA Kukatpally, Phase II, Road No. 4,
Via I.E. Gandhi Nagar, Hyderabad - 500 037. India
Phone : +91 040 23402682
Mobile : +91 9959000380
Email : info@rndwafer.com

Local Contact :

Web : www.rndwafer.com