



Accessory to Wafer Plant Automation

Utility:

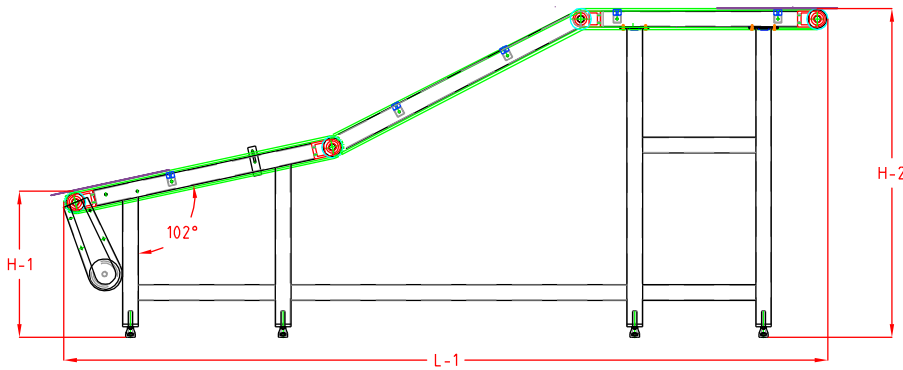
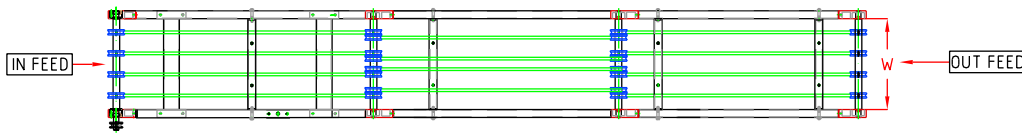
Changing the height of the input area to a different height for output area.

Better by Design...

TO - 5 Conveyor

In large scale production when many wafer machines must be installed in an existing production area, or in to an existing production line a new layout is required. If the height of machines feeding or receiving are different in different areas this conveyor will help.

For maintaining hygiene the parts in contact with the product are made of stainless steel. The machine can be provided with the waste collecting bins below the conveyors.



Technical Details

Dimensions (in mm)	
Length	2900 mm
Width	410 mm
Height	475 / 1200 mm
Connected load in Kw	0.37
Gross Weight	100 mm
Shipping Volume	As Applicable

Wafer Sheet Size	:
Sheet In (SI)	:
Height In (HI)	:
Height Out (HO)	:
Length of	:
Conveyor (d)	:

*Modifications Reserved

We are constantly guided by our principle of offering our customers better and better machines; to give increased efficiency and higher levels of automation. The technical data and illustrations are subject to change without notice

R & D Engineers

A-41, IDA Kukatpally, Phase II, Road No. 4,
Via I.E. Gandhi Nagar, Hyderabad - 500 037
Phone : 23402682, 23079121, 23077985
Fax : +91 9959000380 Email: info@rndwafers.com

Local Contact :

Web : www.rndwafers.com